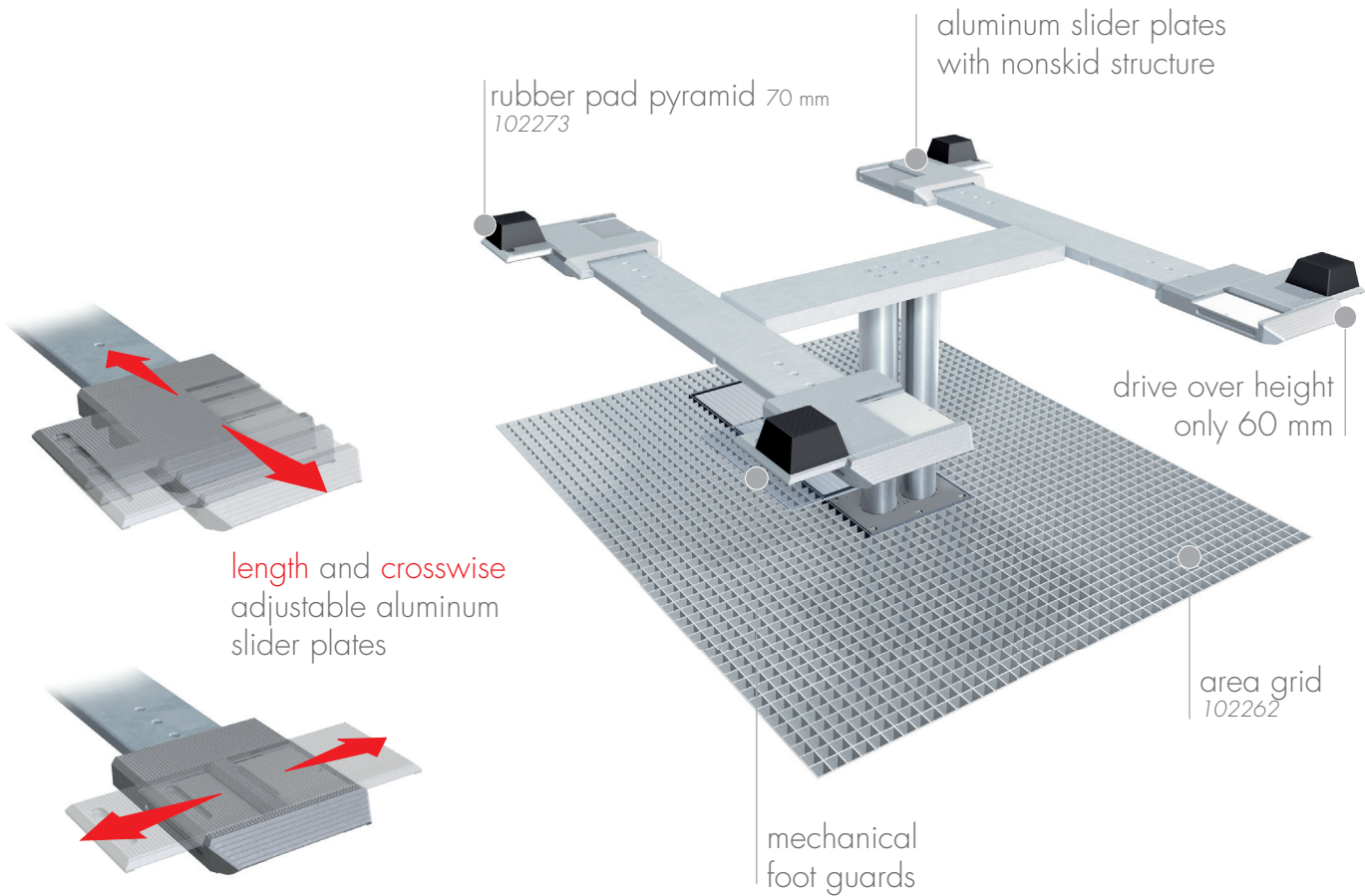
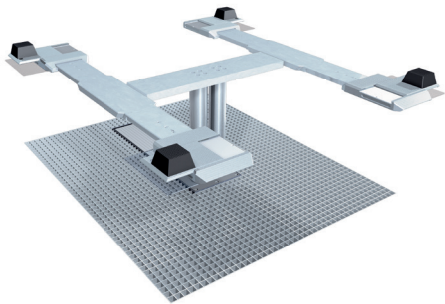




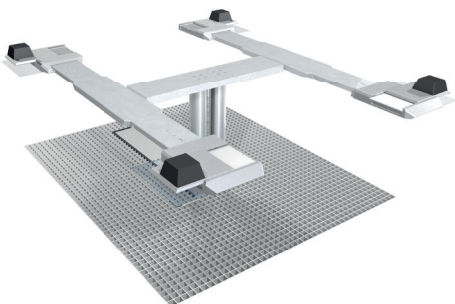
# Classic 1.35 H plus



## Classic 1.35 H plus midi



## Classic 1.35 H plus maxi

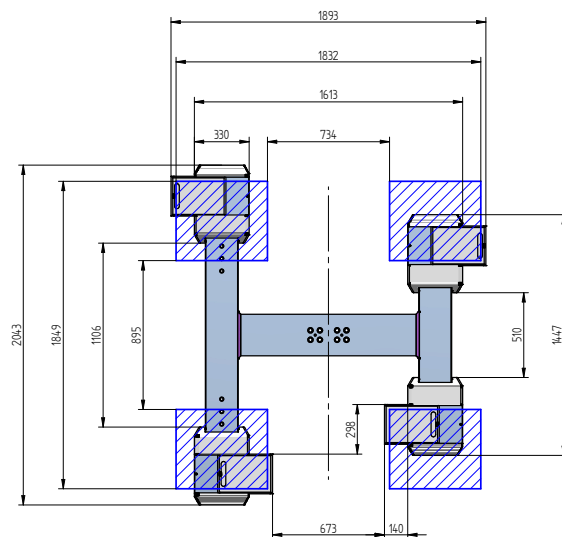


### TECHNICAL DATA

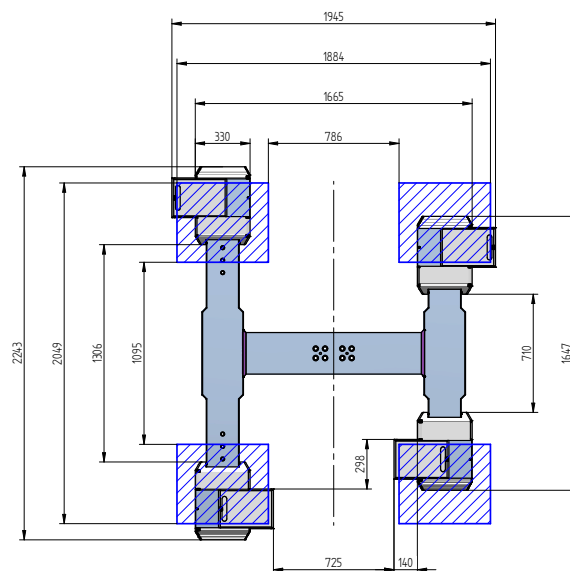
capacity	3500 kg
effective raise height	2045 mm
drive over height	60 mm
piston diameter	123 mm
installation depth	2408 mm
motor output	3,0 kW
power connector	400 V/16 A
cable length to control	11 m
lifting time	≈ 35 sec.
lowering time	≈ 35 sec.

Support Classic 1.35DC H plus galvanized	110175
Support Classic 1.35DC H plus midi galvanized	110176
Support Classic 1.35DC H plus maxi galvanized	110177
Installation cassette 1-piston DC STEEL	2040XX
Installation cassette 1-piston DC STEEL galvanized	2041XX
Lifting unit oil 3,5 t 1-piston DC - K pre-assembled in installation cassette	110077
Lifting unit oil 3,5 t 1-piston DC - H packed in wooden box	110125

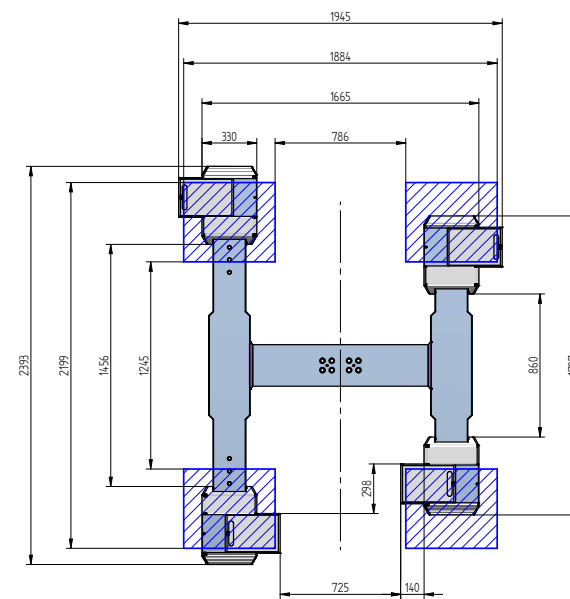
# Classic 1.35 H plus

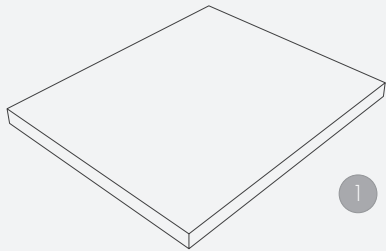


## Classic 1.35 H plus midi

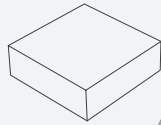


## Classic 1.35 H plus maxi

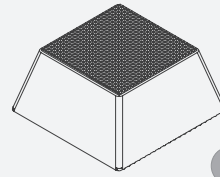




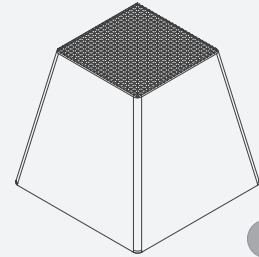
1 | Rubber pad  
290 x 335 x 20 mm  
102275 (1set / 4 pcs.)



2 | Rubber pad  
120 x 120 x 40 mm  
102274 (1set / 4 pcs.)



3 | Rubber pad pyramid  
70 mm  
102273 (1set / 4 pcs.)



4 | Rubber pad pyramid  
140 mm  
102291 (1set / 4 pcs.)

**Herrmann AG**  
Bahnhofstrasse 32  
D-93483 Pöding

**Sales**

Phone: +49 (0)9461/91388 50  
Fax: +49 (0)9461/91388 33  
E-Mail: [sales@herrmann.de](mailto:sales@herrmann.de)

**Service**

Phone: +49 (0)9461/91388 31  
Fax: +49 (0)9461/91388 33  
E-Mail: [service@herrmann.de](mailto:service@herrmann.de)

[www.herrmann.de](http://www.herrmann.de)